

SPAcessories

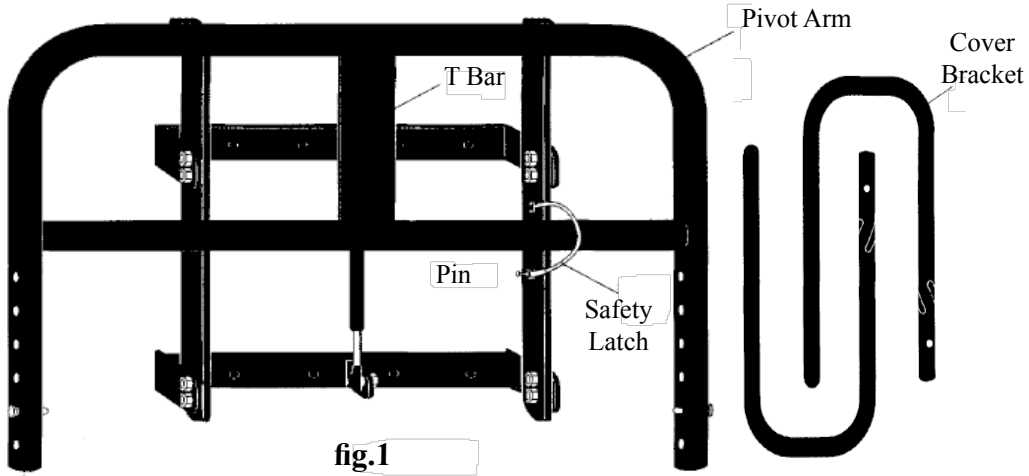
Spa & Hot Tub Necessities

Cover Caddy *Installation & Use Manual*



WARNING
PLEASE READ ALL INSTRUCTIONS BEFORE
ATTEMPTING INSTALLATION

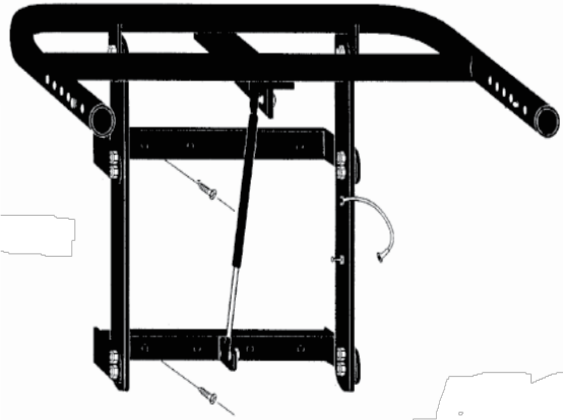
FAILURE TO DO SO MAY CAUSE DAMAGE TO YOUR LIFT AND/OR SPA COVER



Cover Caddy comes pre-assembled with just final assembly and mounting needed to fully use.

fig. 2

1. When removed from box, main unit is in a closed position (fig. 1). Remove safety latch from pin and swing up (shock assisted) pivot arm to horizontal position (fig. 2)



2. Position Cover Caddy centered side to side on spa cabinet (on side of spa with 3' clearance). Pivot arm must be even with top rim of spa. Use the 8 wood screws provided when mounting Cover Caddy through the 8 holes on the 2 support bars. **MAKE SURE YOU ARE MOUNTING TO SUPPORT BEAMS (under outside cabinet). IF you cannot locate support beams or none are available to mount to, mount (2) 2" x 2" wood sticks to spa cabinet first, then mount Cover Caddy to the 2x2's.** (fig. 3)

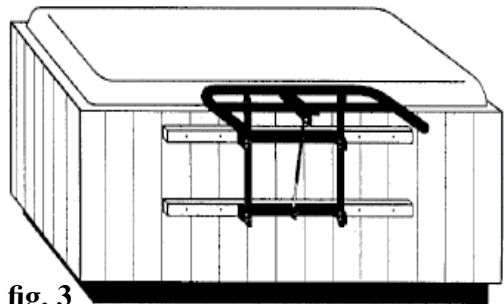
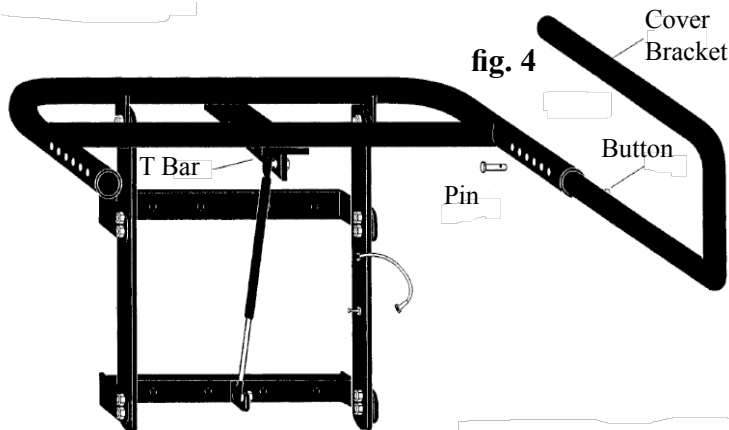


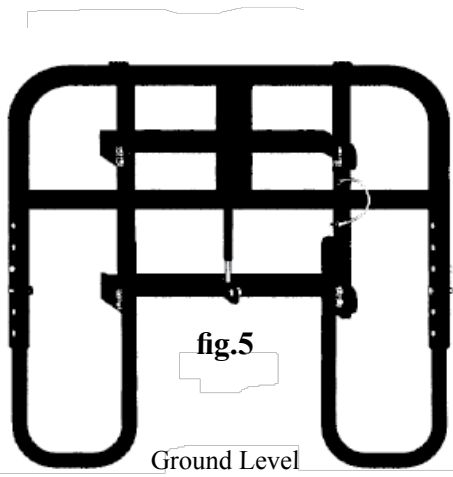
fig. 3
(optional support mount)

3. Make sure Cover Caddy is level and even with the top rim of the spa so that when spa cover is removed, the cover will slide smoothly onto Cover Caddy.

4. After Cover Caddy is mounted to spa, remove pin from cover bracket and depress button on cover bracket. Insert tube end into right pivot arm (fig. 4). The right side cover bracket has the button on the right side when vertical (see diagram). Slide cover bracket in until the button pops out in the hole third from the end (final adjustment will be determined by ground clearance when Cover Caddy is closed). Reinsert pin in the hole 1 back from button on the inside edge. Install left cover bracket in the 3 same way and hole position.



5. Now is the time to check the hole position on pivot arm. Depress button on right cover bracket and rotate bracket inward (pin remains in position). Repeat step on left cover bracket. Now push down evenly on Cover Caddy to swing into closed position. Cover brackets should not hit the ground when closed (fig. 5). Always secure safety latch on pin when Cover Caddy is in the closed position.



6. Return Cover Caddy to horizontal position and swing cover brackets to vertical position until buttons pop out in holes. Now you are ready to remove spa cover from spa, onto the Cover Caddy.

7. Fold back spa cover at the seam and simply slide cover straight back into the cover brackets. The spa cover can be “slid back” from either the side or back. Once the spa cover is all the way back into the cover brackets (fig. 6), push evenly on back edge of spa cover or cover brackets to swing down the Cover Caddy into closed position.

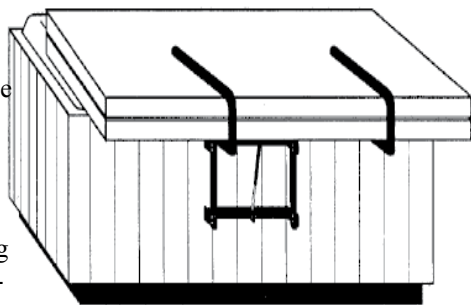


fig. 6

That’s all there is to it! When you are done enjoying your spa, swing Cover Caddy up to horizontal position and reposition spa cover.

NOTE: If Cover Caddy is not opening or closing properly (too fast or too slow), the shock on the Cover Caddy can be adjusted to another hole on the “T Bar”. For a heavier spa cover, move to a hole closer to the spa cabinet. For a lighter spa cover, move the hole farther out. The shock comes installed in the proper hole for an average weight spa cover.

ONE YEAR LIMITED WARRANTY

Any Cover Caddy shown to be unserviceable due to defects in materials or workmanship within one years from date of purchase will be repaired or replaced, at the option of the manufacturer, without charge for labor or materials. (Excludes cost of freight to and from the manufacturer.)

1.) The manufacturer will guarantee the powder coat, welds, and hardware for a period of five years. The gas shock(s), if originally equipped, will carry a one year warranty.

2.) EXCLUSIONS: This warranty does not cover damage incurred by use of the Cover Caddy and/or spa cover, other than in accordance with printed literature provided by the manufacturer.



Spa & Hot Tub Necessities

6848 S. Airport Road ~ West Jordan, UT 84084